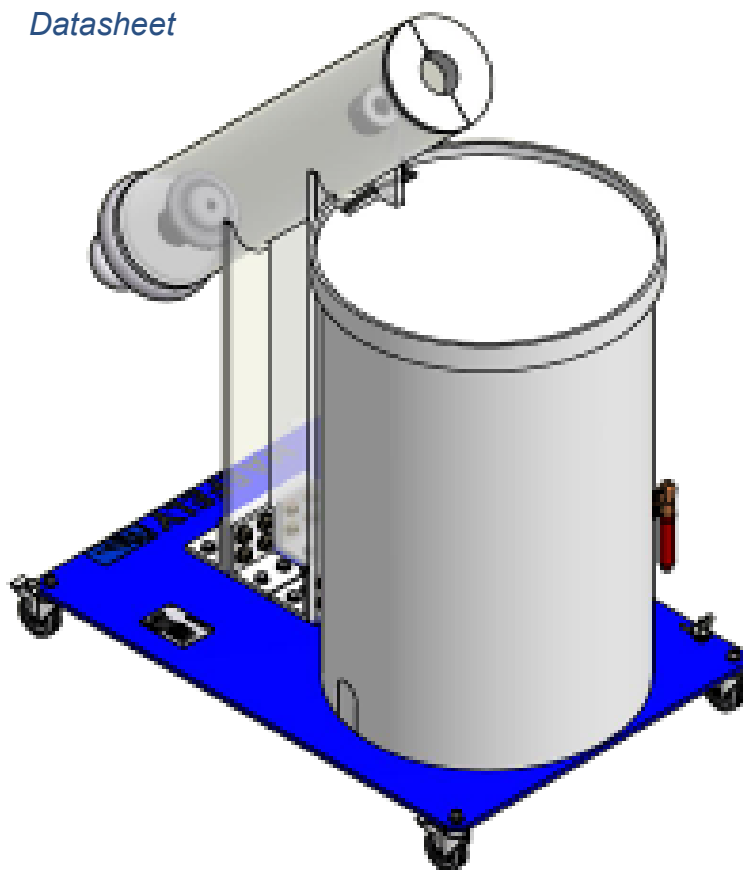




**KEV**

Cable Test Termination- Oil

*Datasheet*



**HAEFELY**

Current and voltage – our passion

# General Description

KEV series cable test terminations are used for AC testing as well as for partial discharge and tan delta measurements on plastic-insulated medium voltage cables. These cable terminations are oil-insulated. Their main characteristics include easy handling, short cable preparation times and very short set up times; this is of great importance in routine test applications.

The cable ends can be prepared away from the test laboratory and the cables can be easily installed in the terminations.

Under normal conditions, the insulating oil (commercially available mineral oil) used in the cable terminations can be used for several months before it needs to be replaced or filtered.

The KEV series are available in two different types:

KEV 50 with a rated voltage of 50 kV which can be fastened directly to the cable drum.

KEV 75/100 with a rated voltage of 75/100 kV is mounted on a trolley which is fitted with a container for collecting oil that drips from the cable when it is removed from the termination.

## Technical Data

	KEV 50	KEV 75	KEV 100
Rated voltage at 50/60 Hz (kV)	50	75	100
PD level at rated voltage (pC)	≤1	≤1	≤1
Test voltage, 50 Hz, 1 min (kV)	60	90	120
Insulation oil volume per termination (L)	2	15	15
Weight (2 units less oil) (kg)	8	45	55
Max. cable diameter over outer semiconducting layer (mm)	35	60	60
Max. conductor diameter (mm)	30	35	35

## Technical Data – Physical Dimensions

	KEV 50	KEV 75	KEV 100
Length (mm)	660	1190	1370
Height (mm)		1350	1400
Width (mm)	220	700	700

# Applications

Applications covered include testing according to IEC, ANSI / IEEE & other national standards for cable Routine Test.

## Components of Cable Terminations

- 2 cable test terminations
- 4 screening sleeves
- 4 contact pieces
- 2 drip collectors
- 30 liters insulating oil
- 1 set of operating instructions



## Accessories

- 2 fastening devices for KEV 50



## Global Presence

### Europe

HAEFELY AG  
Birsstrasse 300  
4052 Basel  
Switzerland

☎ + 41 61 373 4111  
✉ [sales@haefely.com](mailto:sales@haefely.com)

### China

HAEFELY AG Representative Office  
8-1-602, Fortune Street, No. 67  
Chaoyang Road, Beijing 100025  
China

☎ + 86 10 8578 8099  
✉ [sales@haefely.com.cn](mailto:sales@haefely.com.cn)

This document has been drawn up with the utmost care. We cannot, however, guarantee that it is entirely complete, correct or up to date.  
©Copyright HAEFELY/ Subject to change without notice

V2020.03



**HAEFELY**

Current and voltage – our passion



HIGH VOLTAGE

INSTRUMENTS

EMC

precision.  
**swiss made.**